

1

2

3

4

A

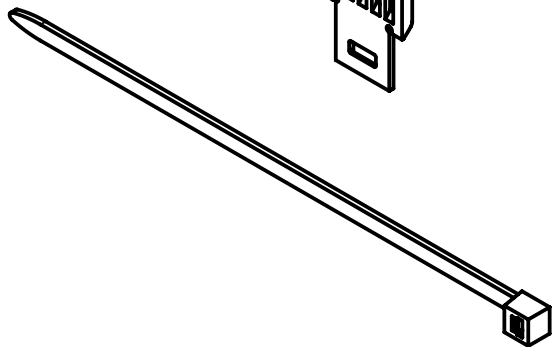
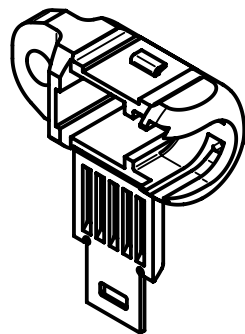
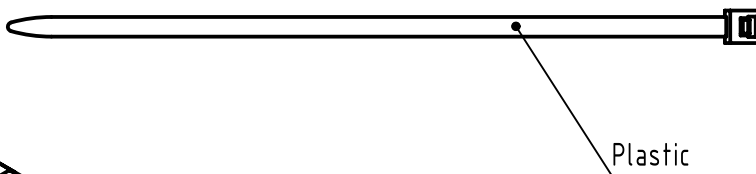
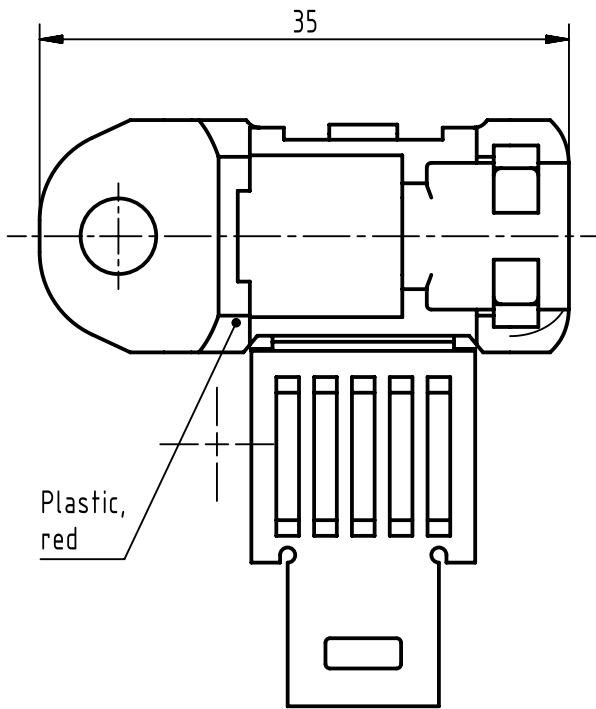
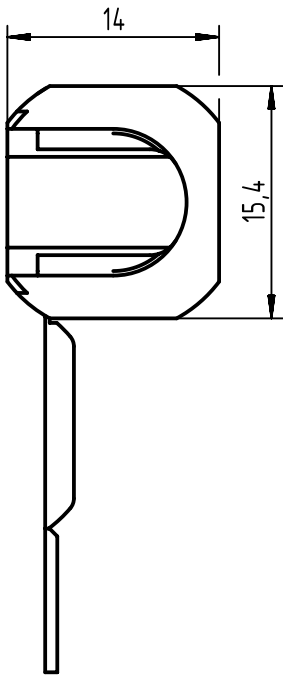
B

C

D

E

F



	All rights reserved Department EC PD - DE	Created by DRAGHICI Inspected by WELLMANN Standardisation HOFFMANN			Date 2013-09-12 State Final Release		
		Title preLink Protection cover 1=Pack of 10 pc				Doc-Key / ECM-Nr. 100196433/UGD/004/A 500000066287	
HARTING Electronics GmbH D-32339 Espelkamp		Type TB	Number 20820009915			Rev. A	Page 1/1