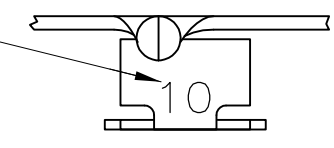


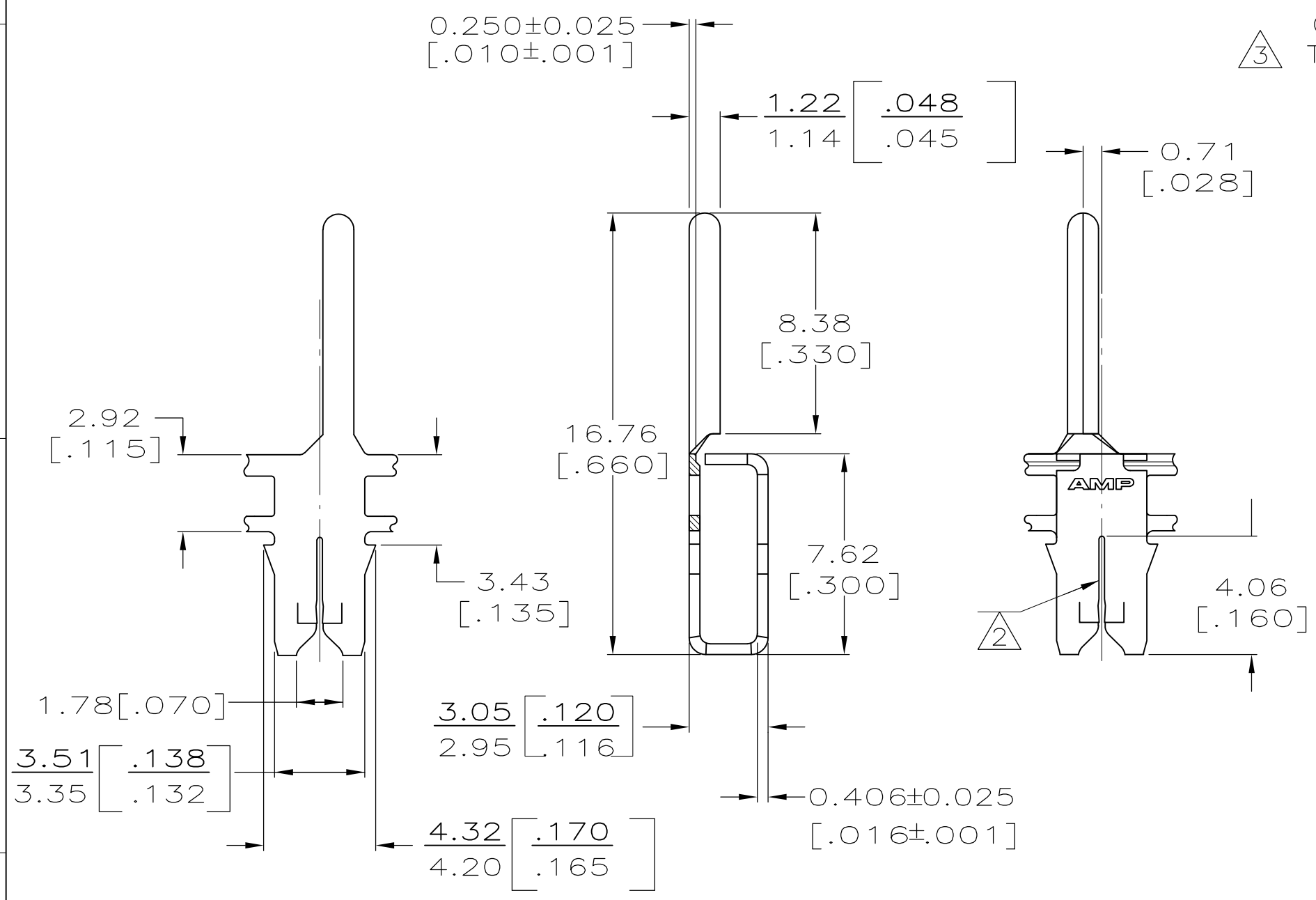
THIS DRAWING IS UNPUBLISHED. RELEASED FOR PUBLICATION
 © COPYRIGHT - By - ALL RIGHTS RESERVED.

LOC	DIST	REVISIONS			
P	LTR	DESCRIPTION	DATE	DWN	APVD
AF	50	D1	ECR-13-017177	05NOV13	PKSRRP

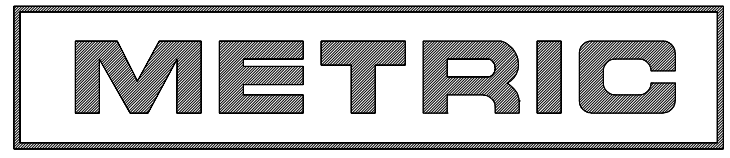
IDENTIFICATION NUMBER 10 FOR
MAGNET WIRE RANGE



- 1 CONTINUOUS STRIP ON REELS WITH TERMINALS LOCATED ON 5.59 [.220] CENTERS.
- 2 SLOT TERMINATES EITHER SINGLE OR DOUBLE MAGNET WIRES OF THE SAME TYPE AND SIZE, COPPER RANGE IS 0.36-0.57mm [#27-#23 AWG]
- 3 TIN PLATE PER MIL-T-10727



63570-1



THIS DRAWING IS A CONTROLLED DOCUMENT.		DWN D.K. SCHRUM 2/1/90	TE Connectivity		
DIMENSIONS: INCHES		CHK M.S. FEHER 2/2/90			
TOLERANCES UNLESS OTHERWISE SPECIFIED:		APVD D.F. DECKER 2/2/90	NAME PIN, 1.22[.048] DIA, LEFT HAND, MAG-MATE™		
0 PLC ± - 1 PLC ± - 2 PLC ± 0.15[.006] 3 PLC ± - 4 PLC ± - ANGLES ± -		PRODUCT SPEC 108-2012	RESTRICTED TO		
MATERIAL BRASS		FINISH 3	APPLICATION SPEC 114-2046	SIZE A3	CAGE CODE 00779
			WEIGHT -	DRAWING NO C-63570	
CUSTOMER DRAWING			SCALE 5:1	SHEET 1 OF 1	REV D1